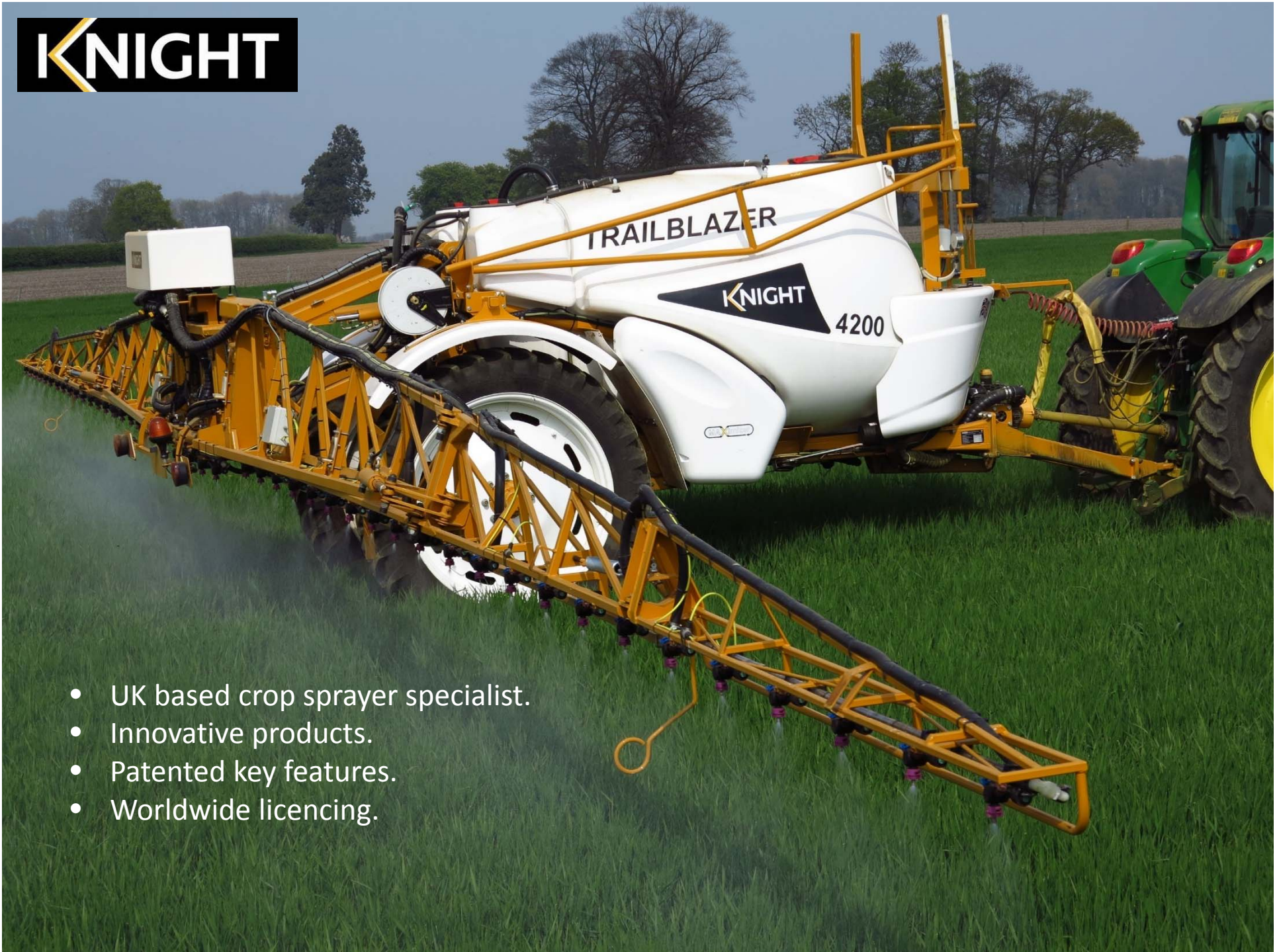


# KNIGHT



- UK based crop sprayer specialist.
- Innovative products.
- Patented key features.
- Worldwide licencing.



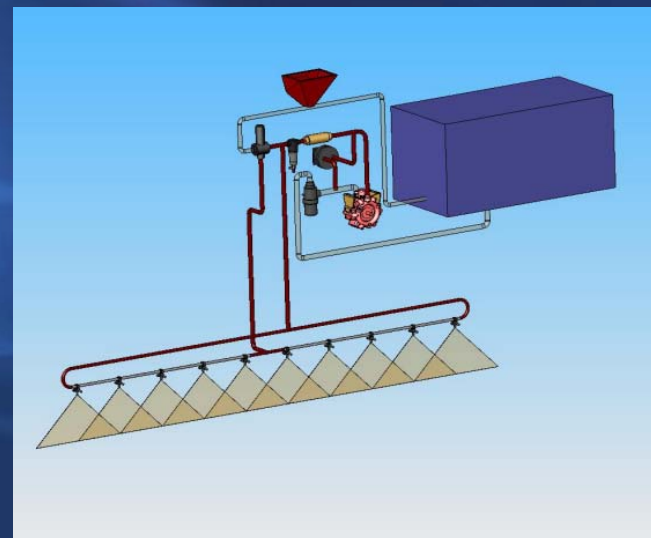
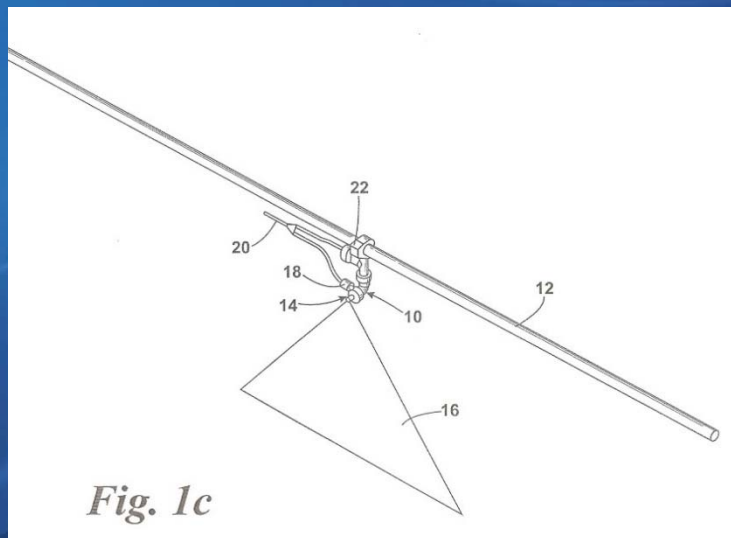
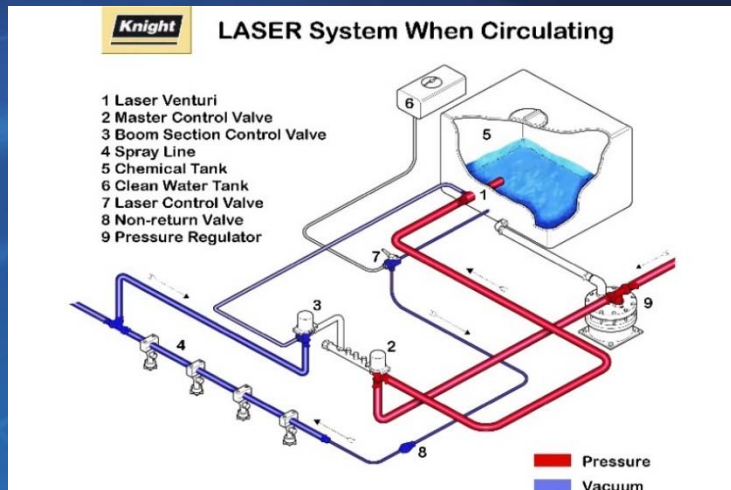




# KNIGHT

## Worldwide Licencing







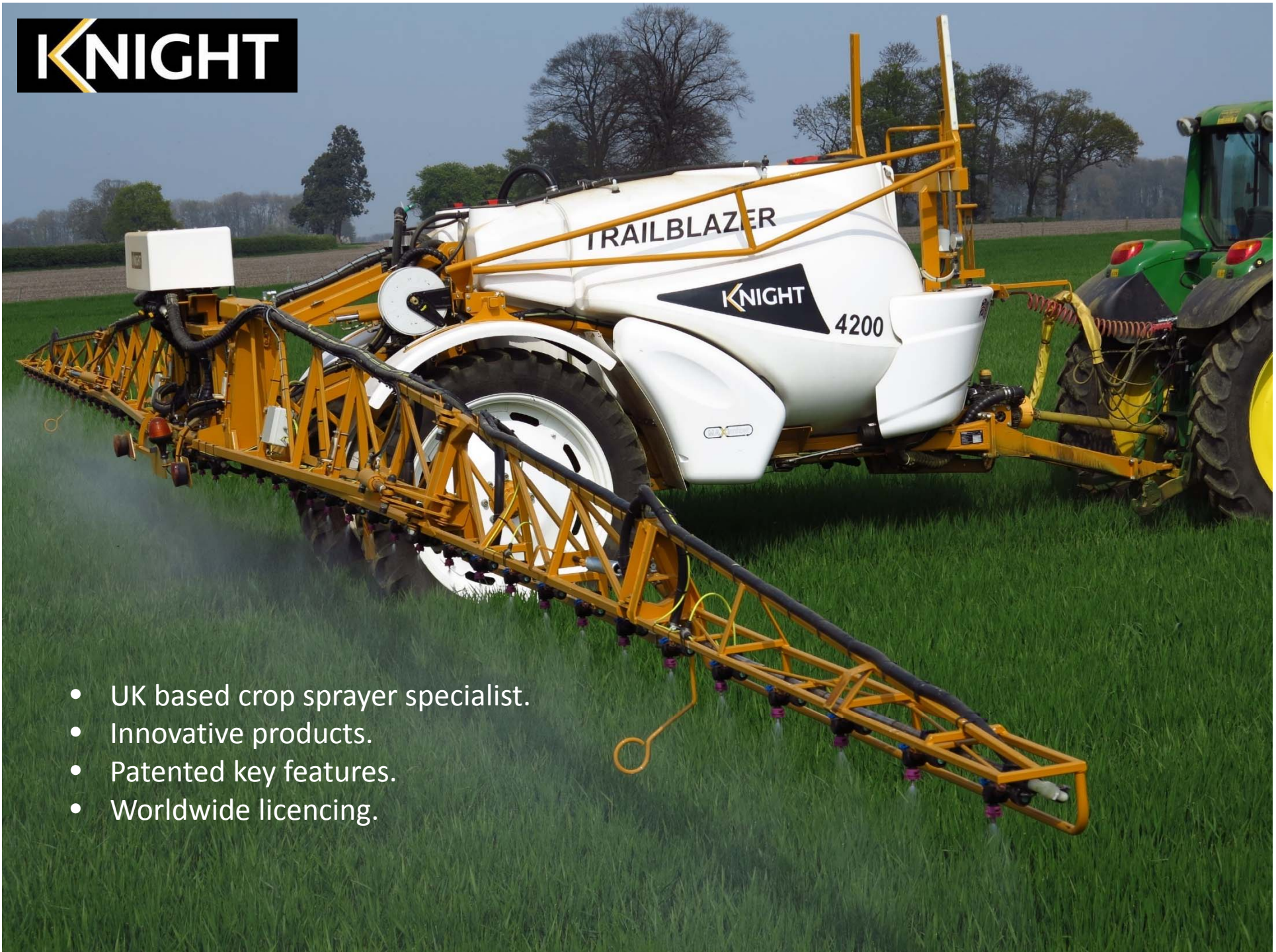
## Why we patent

- ❖ To discourage copying.
- ❖ To investigate the novelty of our ideas.
- ❖ To earn money from licencing.
- ❖ To use patents as collateral if we accidentally infringe.
- ❖ To register an idea that we might not use today but we don't want to be excluded from using it tomorrow.

## What we patent

- ❖ Key features that can be used across our product range.
- ❖ Simple ideas.
- ❖ Ideas that are hard for others to work around.
- ❖ Ideas that we think we can licence to others.

# KNIGHT



- UK based crop sprayer specialist.
- Innovative products.
- Patented key features.
- Worldwide licencing.